

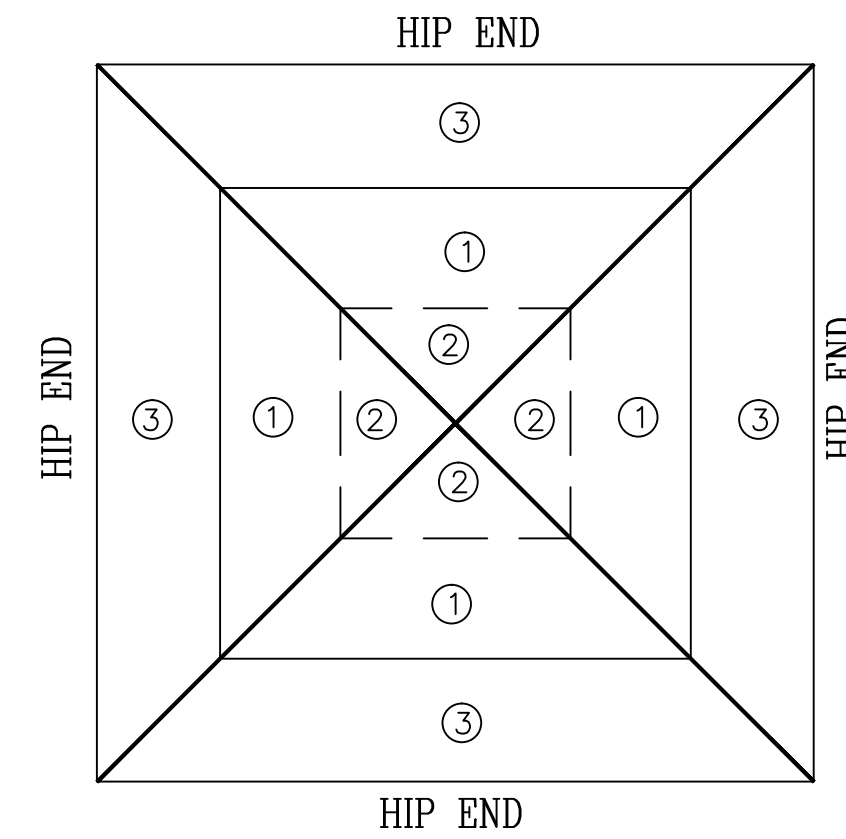
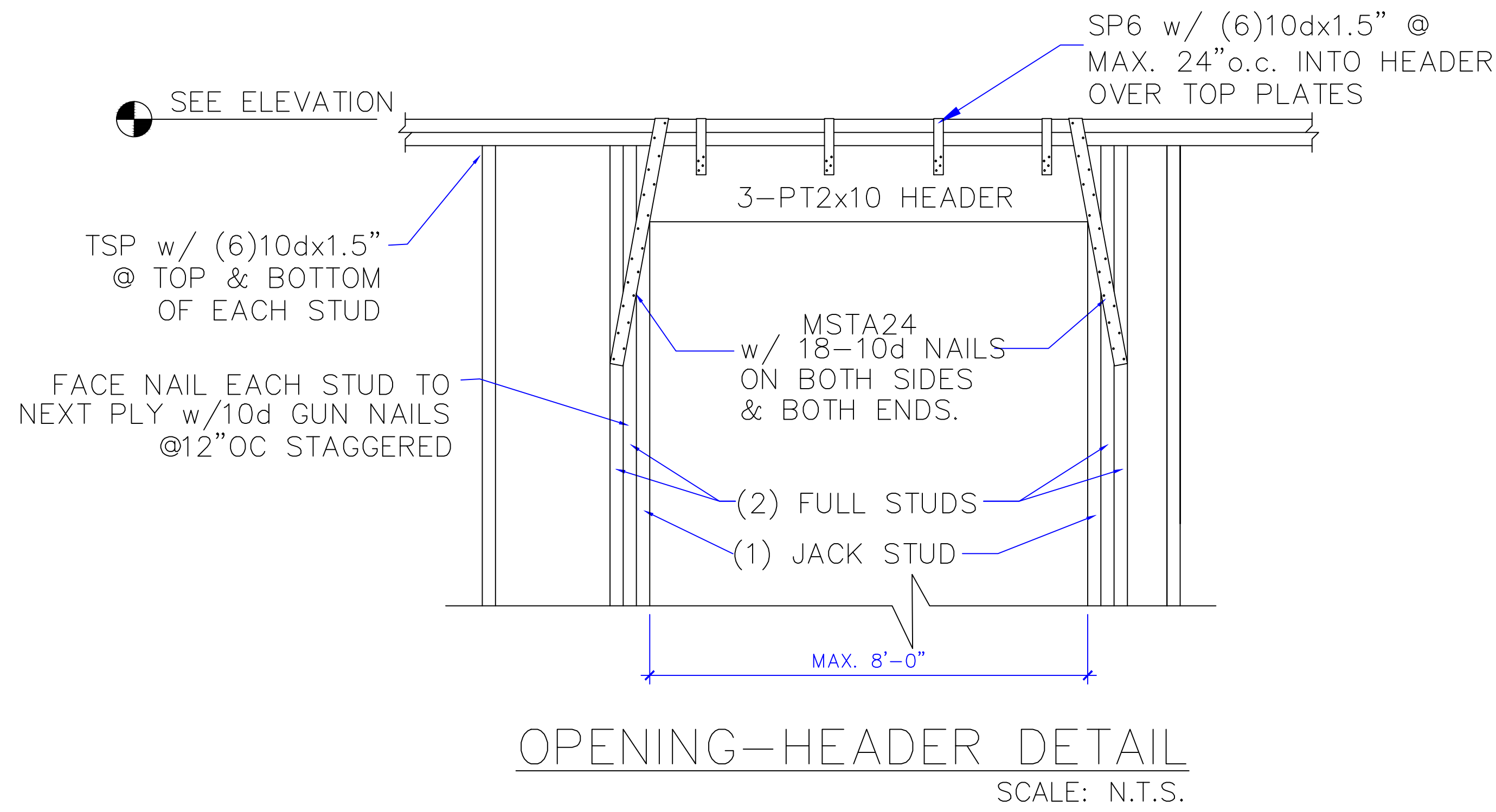
START DATE:	06.28.19
NO. REVISION/ISSUE	DATE
1ST_REVISION	
2ND_REVISION	
3RD_REVISION	

CLIENT:
MARINA VILLAGE 1229
EAST BLUE HERON BLD.
RIVERA BEACH, FL 33404

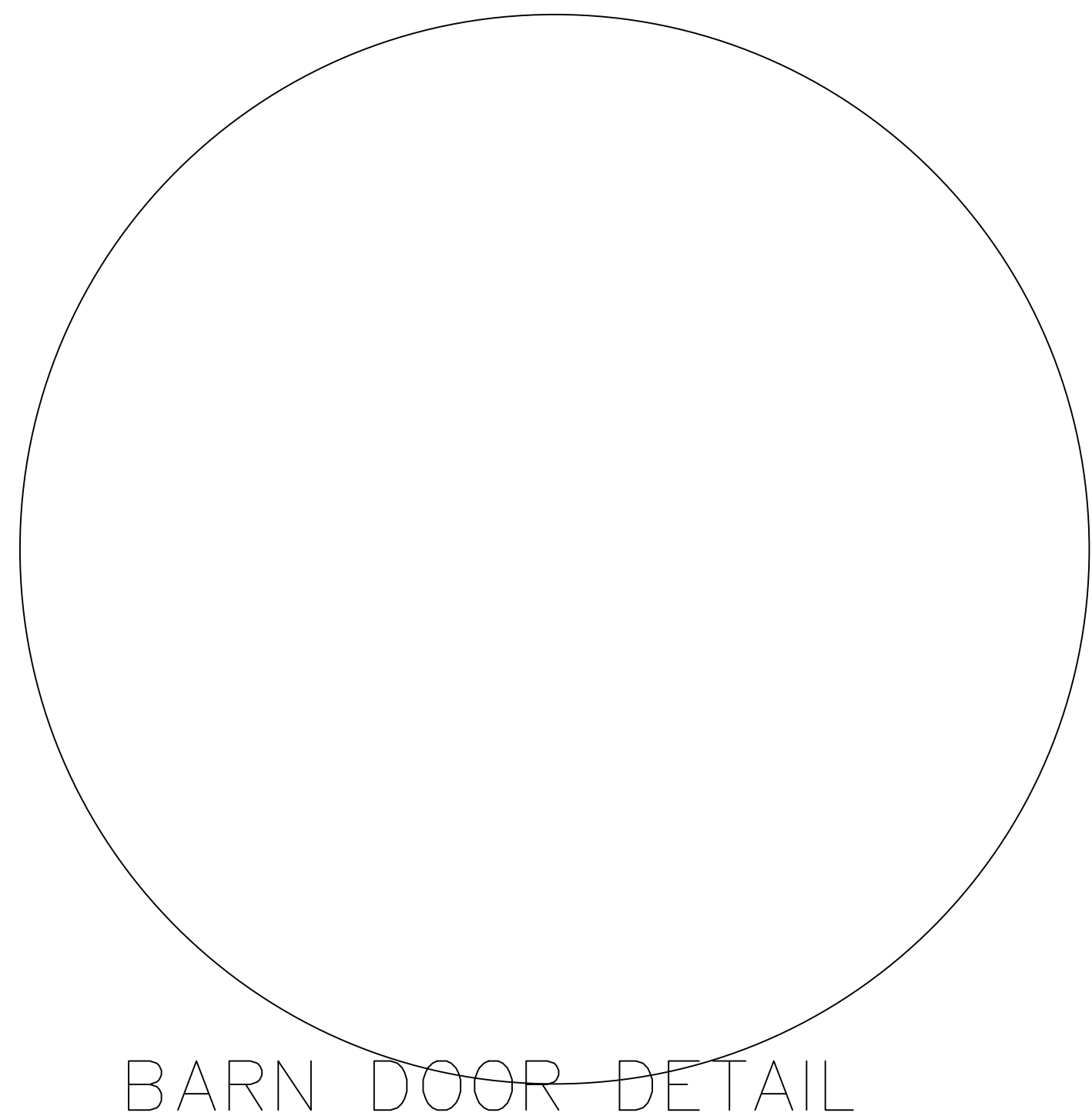
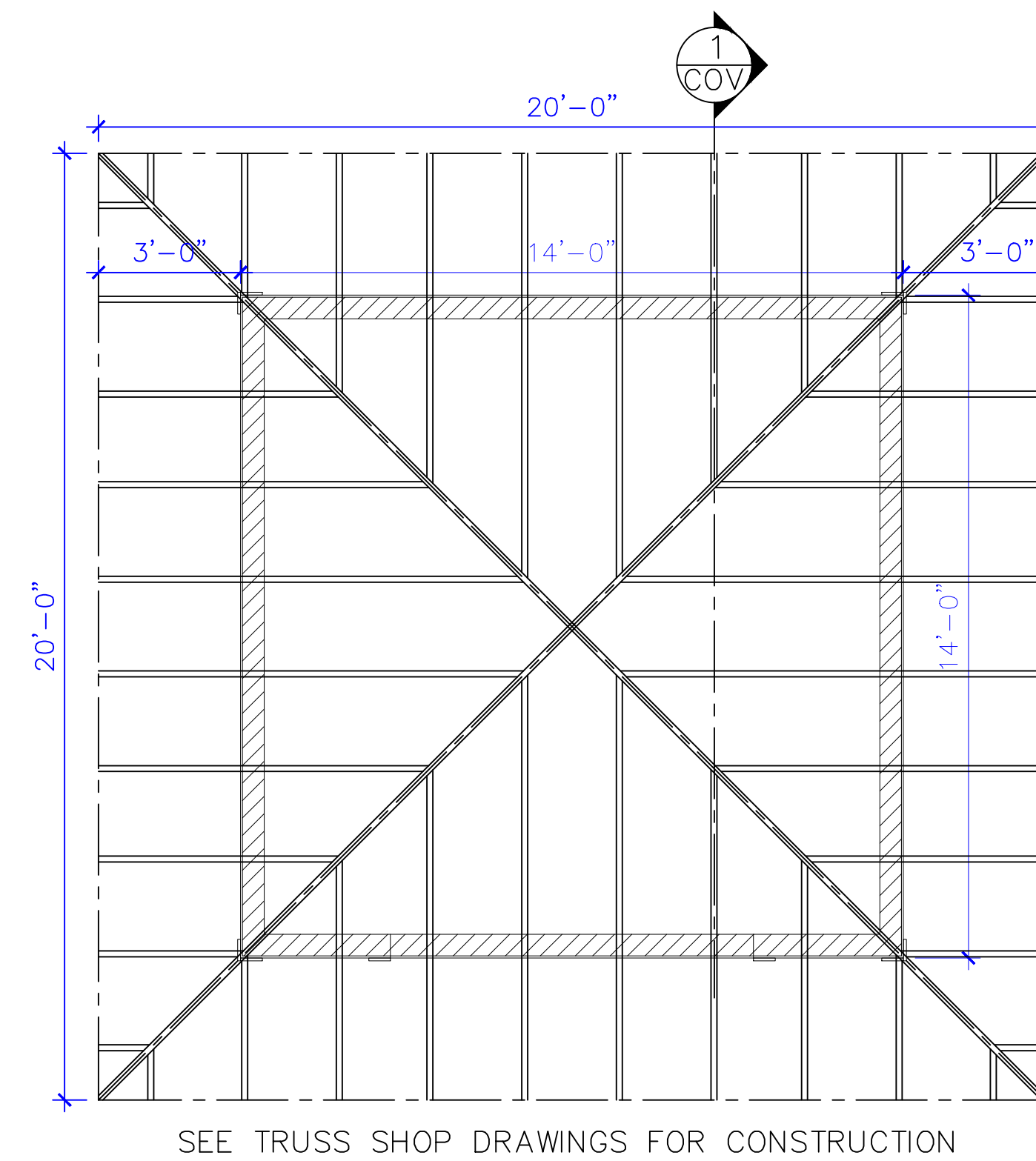


Raymond Chidley
Licensed Architect #AA-26002573

PRODUCT APPROVAL						
OPENING SCHEDULE SLIDER DOOR (BARN DOOR)						
NOA OR FL#	PRODUCT	MODEL NUMBER	MANUFACTURER	GLASS	ATTACHMENT METHOD	DESIGN PRESSURES
FL# XXXXXX	HOR. SLIDER DOOR	XXXXXX MODEL: XXXXX	XXXXXX	N/A	XX XX XXX	±XX.XPSF
FL# XXXXX	LAP SIDING & PLANK	HARDIEPLANK SIDING & PLANK	JAMES HARDIE BLDG PROD.	N/A	6d x 2" GALVANIZED WIRE NAILS @ 6"o.c. EDGES & FIELD. ALL JOINTS OVER STUDS, & ALL NAILS THRU PLYWD INTO STUDS.	-92.0PSF
FL# 11651.7	METAL ROOF	STANDING SEAM OVER UNDERLAYMENT & PLYWOOD	GULF COAST SUPPLY INC	N/A	(2) #12-11x1.5" PANCAKE TYPE A, w/ MIN. 0.25" THRU PLYWD / EACH SNAP LOCK CLIP 12"o.c. FIELD & 6"o.c. FOR 36" PERIMETER. FASTENERS ALL S.STL.	-108.5 FIELD -116 EDGE
FOR WOOD FRAMED SUBSTRATE USE #14 SCREWS TO MIN. 1.5" THICK MEMBER w/ MIN. 1.375" EMBED.						



SHEATHING SHALL BE FASTENED TO ROOF FRAMING W/ 8d GALV. RING SHANK NAILS AT 3" O.C. AT EDGES AND 4" O.C. @ INTERMEDIATE FRAMING EXCEPT AS FOLLOWS: NAILS AT 4" O.C. AT EDGES AND 4" O.C. @ INTERMEDIATE FRAMING EXCEPT AS FOLLOWS: NAILS AT 3" O.C. IN ZONE 2 & 3.



TRUSS CONNECTOR NOTES:

1. ALL TRUSS TO TRUSS CONNECTIONS AND TIE DOWNS BY TRUSS MANUFACTURER
2. CONSTRUCTION NOT TO COMMENCE UNTIL ARCHITECT OF RECORD HAS REVIEWED TRUSS SHOP DRAWINGS & CUT SHEET REACTIONS;
3. ALL TRUSS/RAFTER TO WOOD HEADER/TOP PLATES TO BE SIMPSON HTS20 w/(24) 10d X 1-1/2"
4. EXCEPTIONS TO ABOVE WILL BE IDENTIFIED AFTER REVIEW OF REACTIONS FROM TRUSS SHOP DRAWINGS;
5. ANCHORS TO BE INSTALLED AS PER SIMPSON'S DIRECTIONS & SECURED WITH SIMPSON EPOXY STRONG-TIE.
6. IF SINGLE PLY TRUSS FOR SIMPSON MGT, HGT-2, HTT SERIES, HD/DA SERIES CONNECTORS, SHIM w/ D.F./S.P. 6'-0"x 2x4 w/ 10d NAILS STAGGERED @ 6"o.c.